

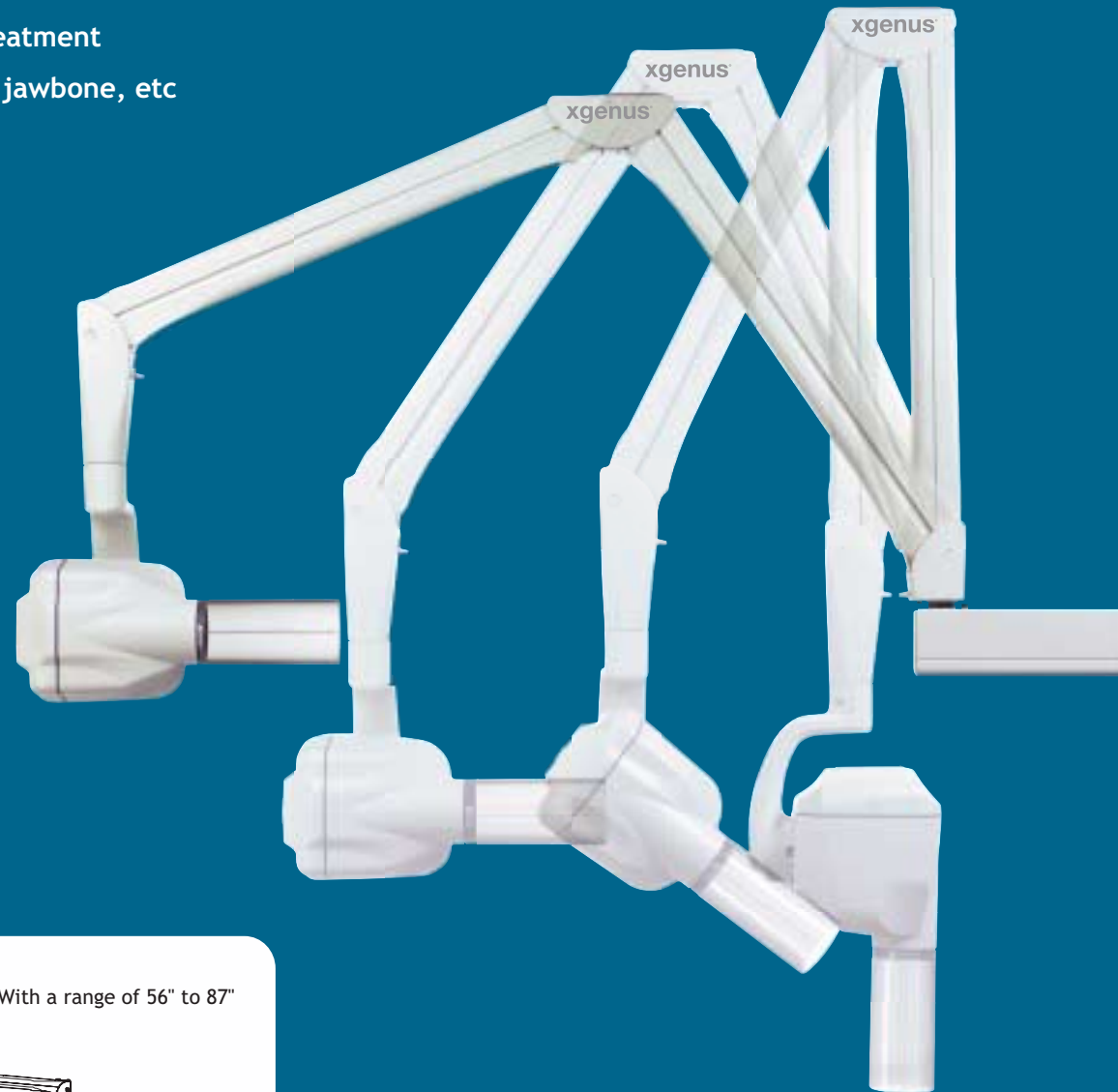
xgenus®

Taking dental X-rays is essential in dentistry for:

- diagnosing root resorption
- diagnosing an apical abscess on a broken tooth
- evaluating the extent of bone resorption in periodontitis
- making an extraction decision
- carrying out root canal treatment
- diagnosing a tumor of the jawbone, etc

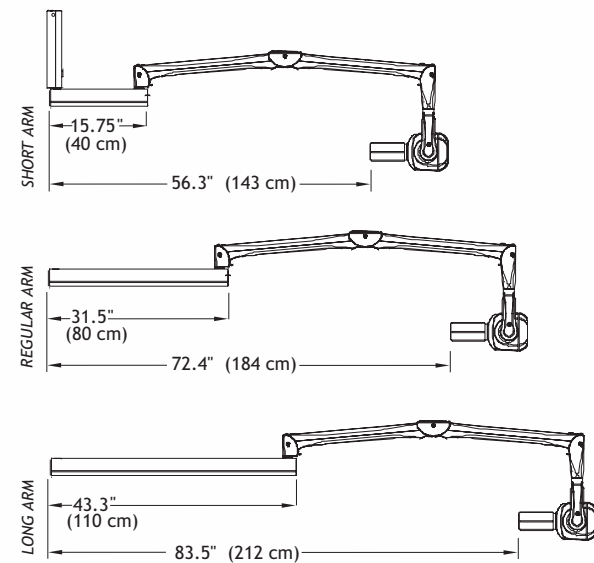
XGENUS (AC)

Generator low frequency (60Hz)
 Minimum exposure time0.08 seconds
 Voltage70kV
 Intensity8mA



ARM LENGTHS

Available in three different lengths. With a range of 56" to 87"



Bottom mount versions are shown

xgenus®dc

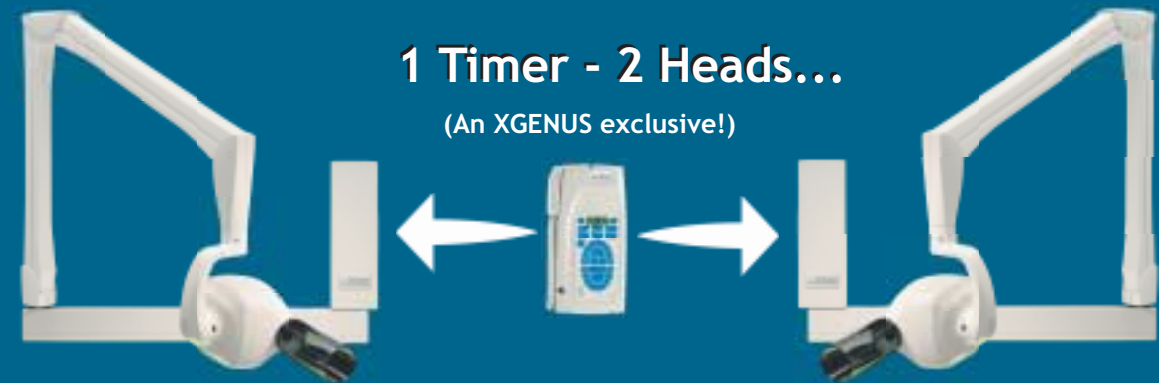
XGENUS (DC)

High-frequency generator (200 kHz)constant voltage
 Minimum exposure time0.02 seconds
 Reduction of exposure time35% compared with X-Mind AC
 Voltage70kV or 60kV
 Intensity4mA or 8mA
 Reduction of radiation dose80% with a digital sensor*
 (* When using)

Reliability of the XGENUS AC and DC generators...



The XGENUS AC and XGENUS DC generators are renowned for their reliability and performance. The tube head employs an internal aluminum filter to limit unusable X-Rays as well as provide protection from radiation leakage due to a fully shielded casing.

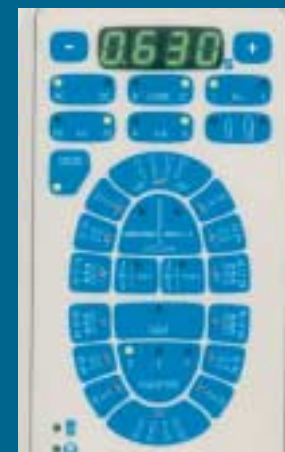


1 Timer - 2 Heads...

(An XGENUS exclusive!)

Only XGENUS has the ability to control two tube heads with one timer!

Programmable user-defined timer



With the XGENUS timer, the micro-processor controlled exposure times are user-defined and programmable.

The timer is compatible with digital imaging systems and can control two AC and/or DC generators alternatively.

- *Very high quality plates*
- *Two XGENUS AC and/or XGENUS DC generators can be controlled by a single timer*
- *Rotation at 395° around the vertical axis*
- *Better protection thanks to a high focus-to-skin distance*
- *Programmable timer*



Also available as a mobile unit!